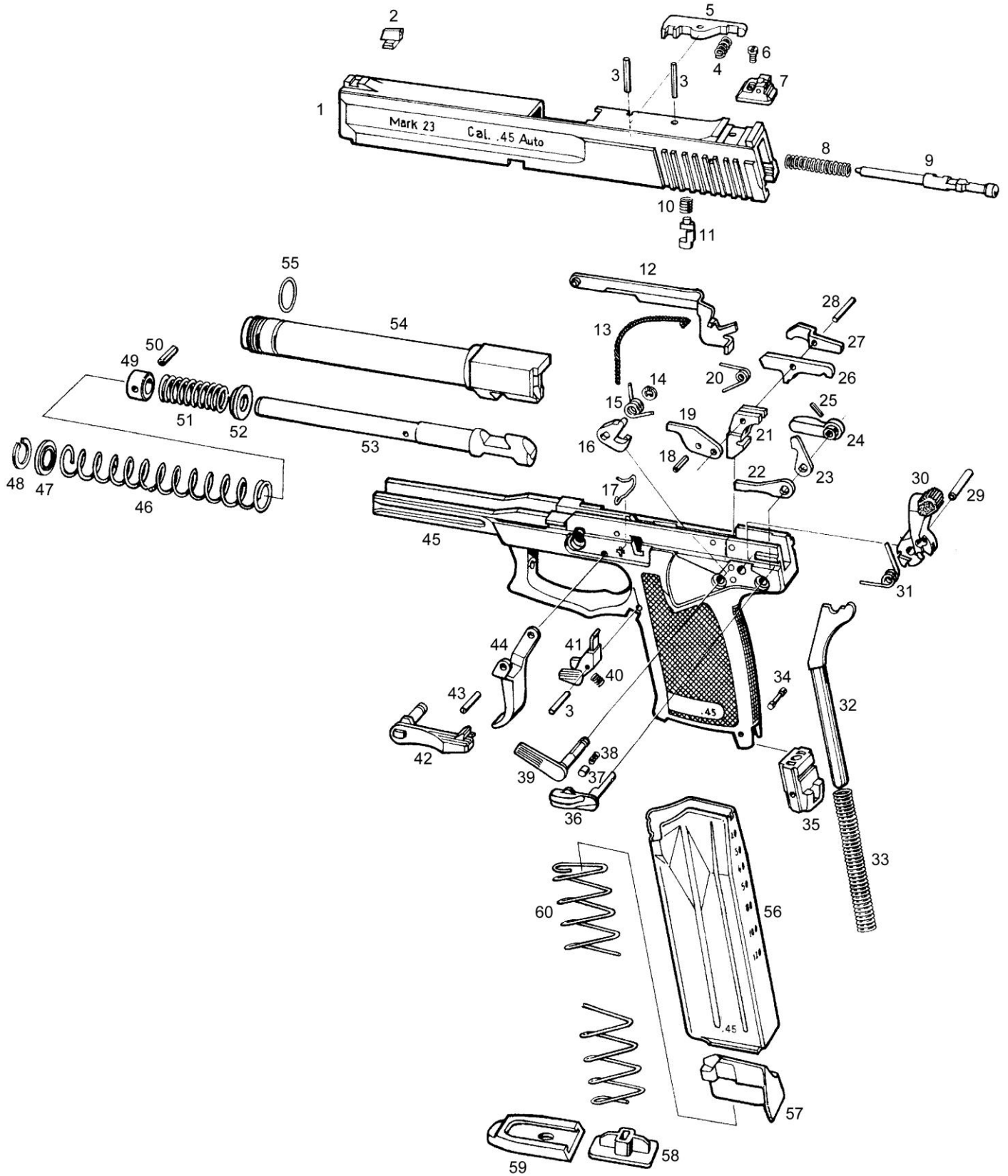


Pistol Mark23

Fig. 1 Exploded view





Pistol Mark23
Fig. 1 Exploded view

Item	Designation	Drawing-No.	Ident.-No.	Quantity per 100 weapons	Quantity per service unit (10 weapons)	Comments
--	Pistol Mark23	93121-10	215 685			Without magazine
	Slide assembly					
--	Slide, compl. (1-11)	93108-11	215 666			
1	Slide	93108-11.01	215 667			
2	Front sight, compl.	93096-13	215 721			
3	Clamping sleeve (2x)	ISO 8750-3x16	986 432			
4	Extractor spring	93096-11.09	215 708			
5	Extractor	93096-11.08	215 707			
6	Screw for rear sight	93096-11.13	215 711			
7	Rear sight	93096-12(..)	215 712			
7.1	Rear sight	93096-12(..)	215 783			
7.2	Rear sight	93096-12(..)	215 774			
7.3	Rear sight	93096-12(..)	215 771			
7.4	Rear sight	93096-12(..)	215 770			
7.5	Rear sight	93096-12(..)	215 768			
7.6	Rear sight	93096-12(..)	215 767			
8	Firing pin spring	93096-11.06	215 706			



Pistol Mark23
Fig. 1 Exploded view

Item	Designation	Drawing-No.	Ident.-No.	Quantity per 100 weapons	Quantity per service unit (10 weapons)	Comments
9	Firing pin	93096-11.05	215 705			
10	Compression spring for firing pin safety	93096-11.12	215 710			
11	Firing pin safety	93096-11.11	215 709			
	Frame assembly					
--	Frame, compl. (12-45)	93121-15	215 975			
12	Trigger bar	93096-17	215 760			
13	Spring for trigger bar	93096-15.06	215 734			
14	Circlip	DIN 6799-3,2	927 062			
15	Elbow spring	93096-15.25	215 743			
16	Release catch	93096-15.24	215 742			
17	Form spring for slide release	93096-15.04	215 733			
18	Clamping sleeve for ejector	ISO 8752-2,5x12-A2-70	986 782			
19	Ejector	93096-15.37	215 752			
20	Elbow spring	93096-15.34	215 749			
21	Detent lever	93096-15.33	215 748			
22	Safety catch	93096-15.30	215 745			
23	Remote catch	93096-15.39	215 754			
24	Safety lever, right	93096-15.29	215 744			
25	Clamping sleeve for safety lever	ISO 8752-1,5x8-A-A2-70	986 781			
26	Release catch	93096-15.35	215 750			
27	Disconnecter	93096-15.36	215 751			



Pistol Mark23
Fig. 1 Exploded view

Item	Designation	Drawing-No.	Ident.-No.	Quantity per 100 weapons	Quantity per service unit (10 weapons)	Comments
28	Axle for detent lever	93096-15.38	215 753			
29	Axle for hammer	93096-15.16	215 738			
30	Hammer, compl.	93096-22	215 772			
31	Elbow spring for hammer	93096-15.17	215 739			
32	Hammer spring rod	93096-15.18	215 740			
33	Hammer spring	93096-15.19	215 741			
34	Bolt for insert	93096-15.03	215 732			
35	Insert for hammer spring	93096-15.02	215 731			
36	Safety lever, left	93096-15.27	215 769			
37	Detent bolt	93096-15.31	215 746			
38	Pressure spring for detent bolt	93096-15.32	215 747			
39	Release lever, compl.	93096-15.23	215 766			
40	Compression spring for magazine release	93096-15.13	215 737			
41	Magazine release	93096-23	215 775			
42	Slide release	93096-19	215 763			
43	Axle for trigger	93096-15.09	215 736			
44	Trigger	93096-15.08	215 735			
45	Frame	93121-16	215 976			
	Recoil spring assembly					
--	Recoil spring, compl. (46-53)	93096-14	215 723			
46	Recoil spring	93096-14.06	215 729			



Pistol Mark23
Fig. 1 Exploded view

Item	Designation	Drawing-No.	Ident.-No.	Quantity per 100 weapons	Quantity per service unit (10 weapons)	Comments
47	Recoil spring stop disc	93096-14.05	215 728			
48	Retaining ring	DIN 7993 - A6	929 191			
49	Ring	93096-14.04	215 727			
50	Clamping sleeve	ISO 8750-3,5x10-ST-A2D	929 908			
51	Compression spring	93096-14.03	215 726			
52	Washer	93096-14.02	215 725			
53	Recoil spring rod	93096-14.01	215 724			
54	Barrel	93108-10.01	215 671			
55	O-ring	0 14,00x1,00-V80G700N	986 429			
	Magazine assembly					
--	Magazine, compl. (56-60)	93096-30	215 777			
56	Magazine housing	93096-30.01	215 778			
57	Follower	93096-30.02	215 779			
58	Magazine floor plate	93096-30.03	215 780			
59	Locking plate	93096-30.04	215 781			
60	Magazine spring	93096-30.05	215 782			
--	Allen key for stop pin	ISO 2936-1,5	958 179			
--	Adjusting key for rear sight	CAC099	987 505			
--	Barrel without thread	93121-10.01	207 197			